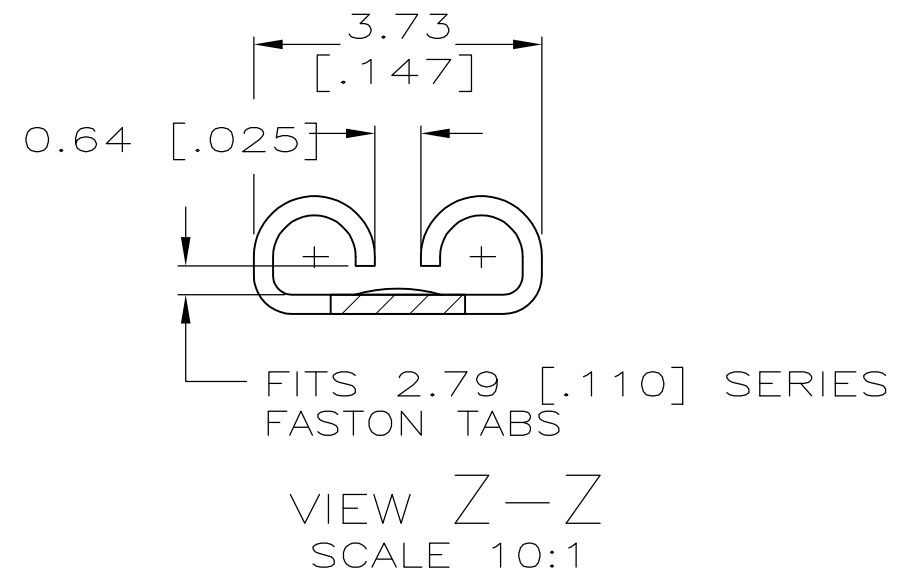
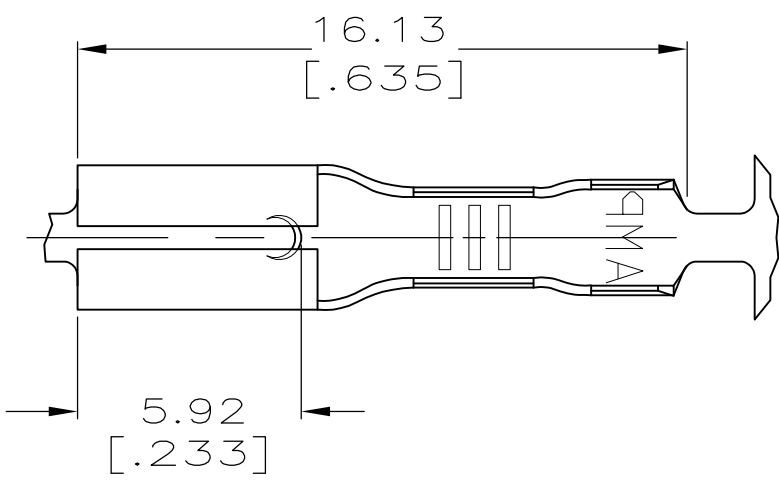
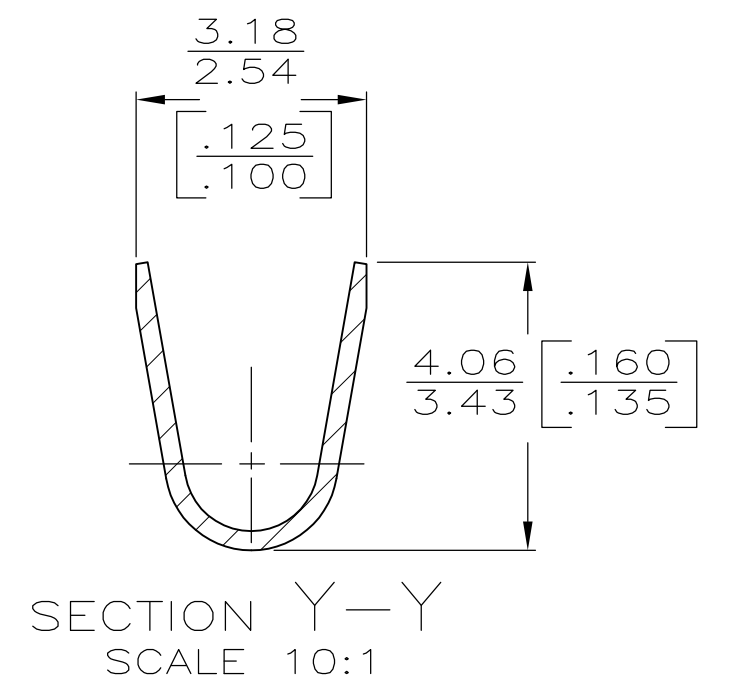
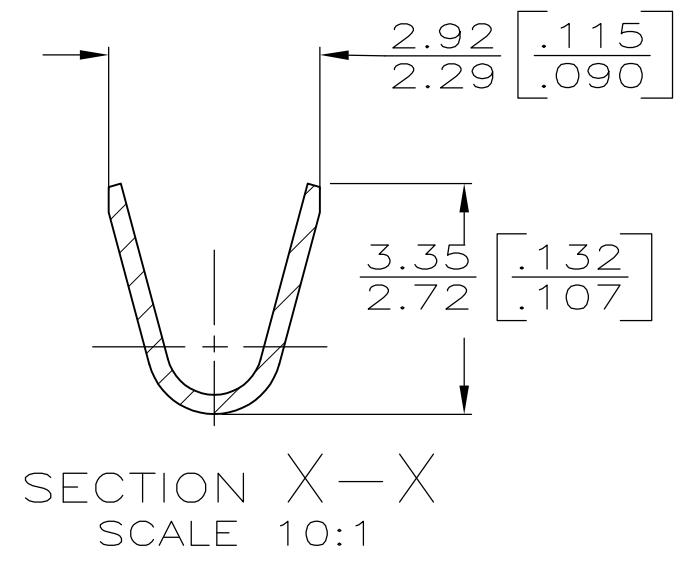
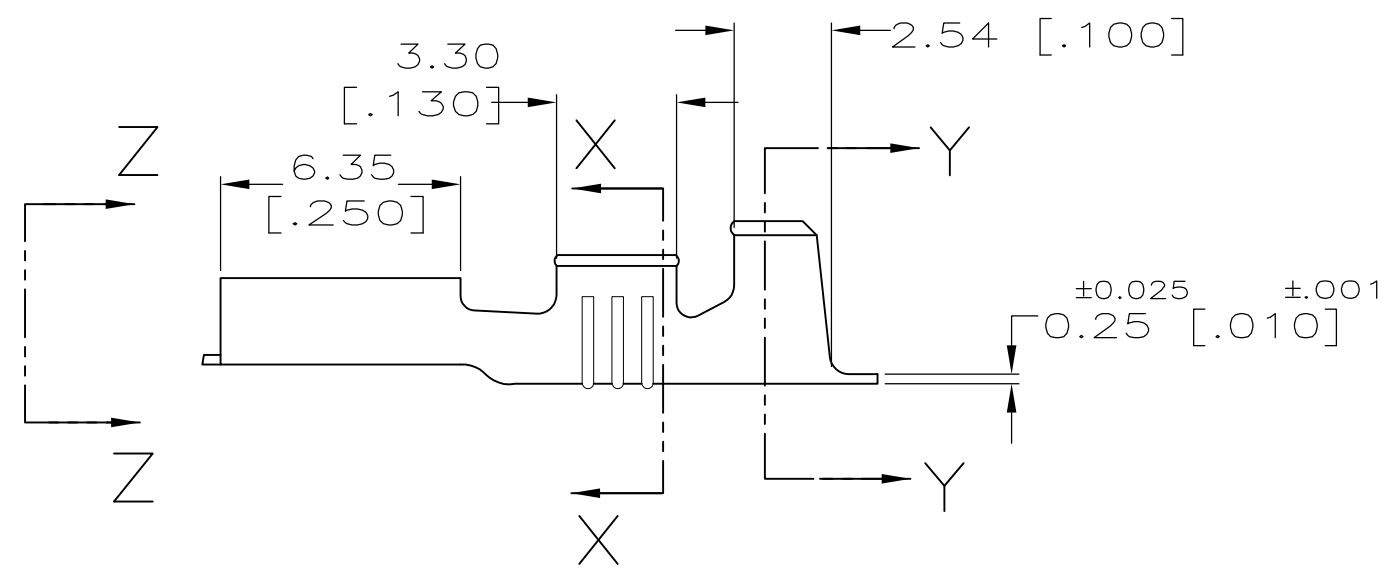


THIS DRAWING IS UNPUBLISHED. RELEASED FOR PUBLICATION
 © COPYRIGHT - By - ALL RIGHTS RESERVED.

LOC	DIST	REVISIONS			
P	LTR	DESCRIPTION	DATE	DWN	APVD
AF	50	C	REVISED PER ECR-12-013459	27NOV2012	KH PD



1 CONTINUOUS STRIP ON REELS



1.52-2.54 [.060-.100]	0.5-1.4mm ² [20-16]	0.25 [.010]	62968-1
INSUL RANGE	WIRE SIZE	MATING TAB THK ±0.025 ±[.001]	PART NO

THIS DRAWING IS A CONTROLLED DOCUMENT.		DWN JR RUTH 1/2/91	STE TE Connectivity	
DIMENSIONS: mm [INCHES]		CHK MS FEHER 1/2/91		
TOLERANCES UNLESS OTHERWISE SPECIFIED:		APVD C MEYERS 1/2/91	NAME	
0 PLC ± -		PRODUCT SPEC	RECEPTACLE, FASTON, 2.79 [.110] SERIES	
1 PLC ± -		APPLICATION SPEC	SIZE CAGE CODE DRAWING NO RESTRICTED TO	
2 PLC ± -		—	A3 00779 C-62968	
3 PLC ± 0.38 [.015]		—	SCALE 5:1 SHEET 1 OF 1 REV C	
4 PLC ± -		—		
ANGLES ± -		—		
MATERIAL BRASS	FINISH PRE-TIN	WEIGHT -		
		CUSTOMER DRAWING		